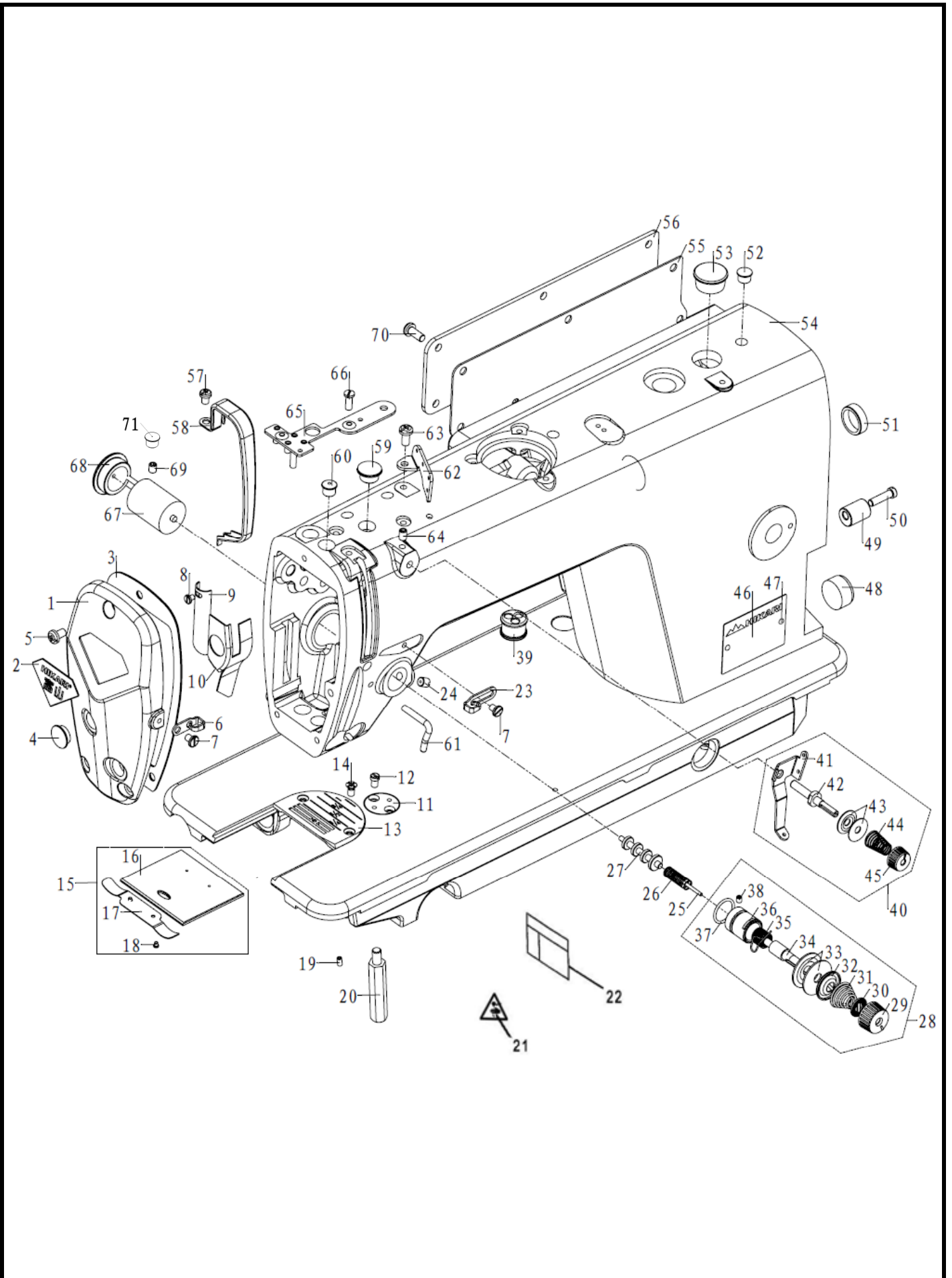


H8900
零件手册
PARTS BOOK

目录/Contents

1、机壳部件/Machine frame&miscellaneous cover components	P1
2、上轴·挑线部件/Main shaft&Thread take-up lever components	P5
3、针杆·竖轴·下轴部件/Needle bar, upright shaft&hook driving shaft components.	P7
4、压杆部件/Hand lifter components.....	P9
5、送料部件/Feed mechanism components.....	P11
6、自动切线/Thread trimmer components.....	P15
7、自动倒缝部件/Automatic reverse feed components.....	P17
8、驱动部件/Driver components.....	P18
9、润滑·绕线部件/Oil lubrication components&bobbin components....	P19
10、油盘部件/Oil reservoir components.....	P21
11、附件/Accessories.....	P23
12、电磁抬压脚装置(选购件).....	P25

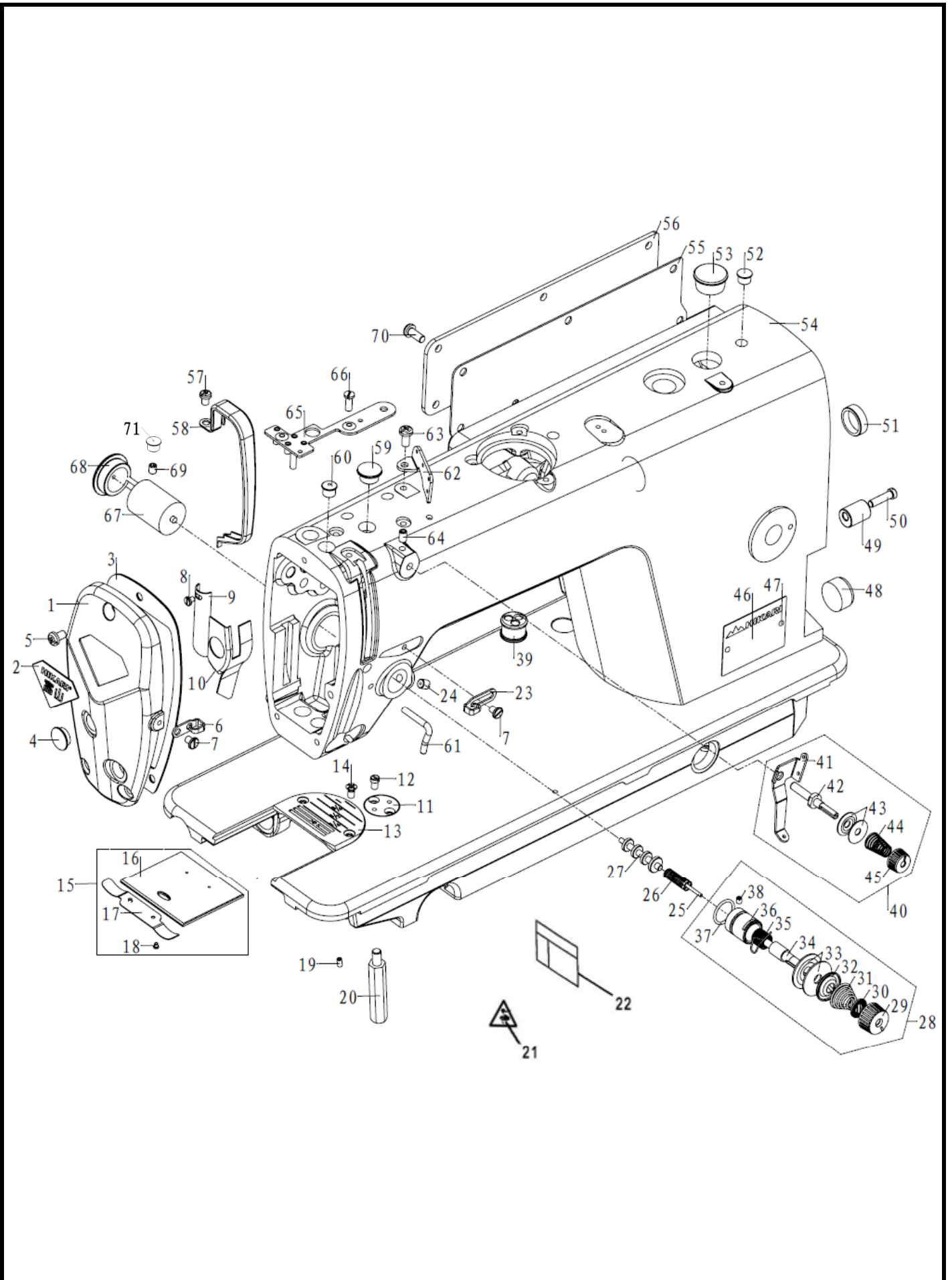
1.机壳部件/Machine frame&miscellaneous cover components



1.机壳部件/Machine frame&miscellaneous cover components

序号 Ref.No	图号 Part. No	零件名称	Name of parts	数量Qty	
				H8900	H8900H
1	132.01-02	面板	Plate	1	
2	130.01-13	钻石形面板贴	Plate stick	1	
3	132.01-03	面板垫	Plate agsket	1	
4	22-12404016	面板孔塞 φ12.4x4xφ16	Rubber plug	2	
5	01-405001223-1	螺钉M5×12	Screw	3	
6	101.01-32	左线钩	Arm thread guide Left	1	
7	02-611400621-1	螺钉 SM11/64x40x6	Screw	2	
8	02-608440421-1	螺钉 SM1/8x44x4	Screw	1	
9	102.01-04-01	面板防油板	Anti-oil plate	1	
10	101.01-04-02	面板防油板油线	Oil wick	1	
11	102.01-61	卷边器座	Ruler stopper	1	
12	02-911400621-1	螺钉 SM11/64x40x6	Screw	2	
13	110.01-44	针板	Throat plate	1	
	116.01-45A	针板	Throat plate		1
14	02-211400823-1	针板螺钉 SM11/64x40x8	Screw	2	
15	101.01-46	推板组件	Slide plate asm.	1	
16	101.01-46-01	推板	Slide plate	1	
17	101.01-46-02	推板簧	Bed slide spring	1	
18	02-606560221-3	螺钉 SM3/32x56x2	Screw	2	
19	02-808440624-1	螺钉 SM1/8x44x6	Screw	1	
20	101.01-37	底板支柱	Bed screw stud	4	
21	201.02-10	安全标识	Safety lable	1	
22	101.01-13	安全指示牌	Safety lable	1	
23	101.01-25	右线钩	Arm thread guide Right	1	
24	02-815280711-1	螺钉 SM15/64x28x7	Screw	1	
25	101.01-27	松线钉	Loose lire nail	1	
26	101.04-24	松线辅钉弹簧	Loose wire nail spring	1	
27	130.04-32	松线顶销	Loose lire pin	1	
28	101.01-27	夹线器组件	Thread tension asm.	1	
	116.01-27	夹线器组件	Thread tension asm.		1
29	101.01-27-01	夹线螺母	Tension nut	1	
30	101.01-27-02	夹线制动板	Rotating stopper	1	
31	101.01-27-03	夹线簧	Tension spring	1	
	114.09-01-01	夹线簧	Tension spring		1
32	101.01-27-04	松线板	Thread tension disk presser	1	
33	101.01-27-05	夹线板	Thread tension disk	2	
34	101.01-27-06	夹线螺钉	Tension post	1	
35	101.01-27-07	挑线簧	Take-up spring	1	
	116.01-27-07	挑线簧	Take-up spring		1
36	101.01-27-09	挑线簧调节座	Tension post socket	1	
37	12-137160	O型圈 φ13.7xφ1.6	Rubber ring	1	
38	02-909400421-1	螺钉 SM9/64x40x4	Screw	1	
39	101.01-20A	导线过线套	Rubber plug	1	
40	110.01-21	调线夹线器组件	Thread tension asm.	1	

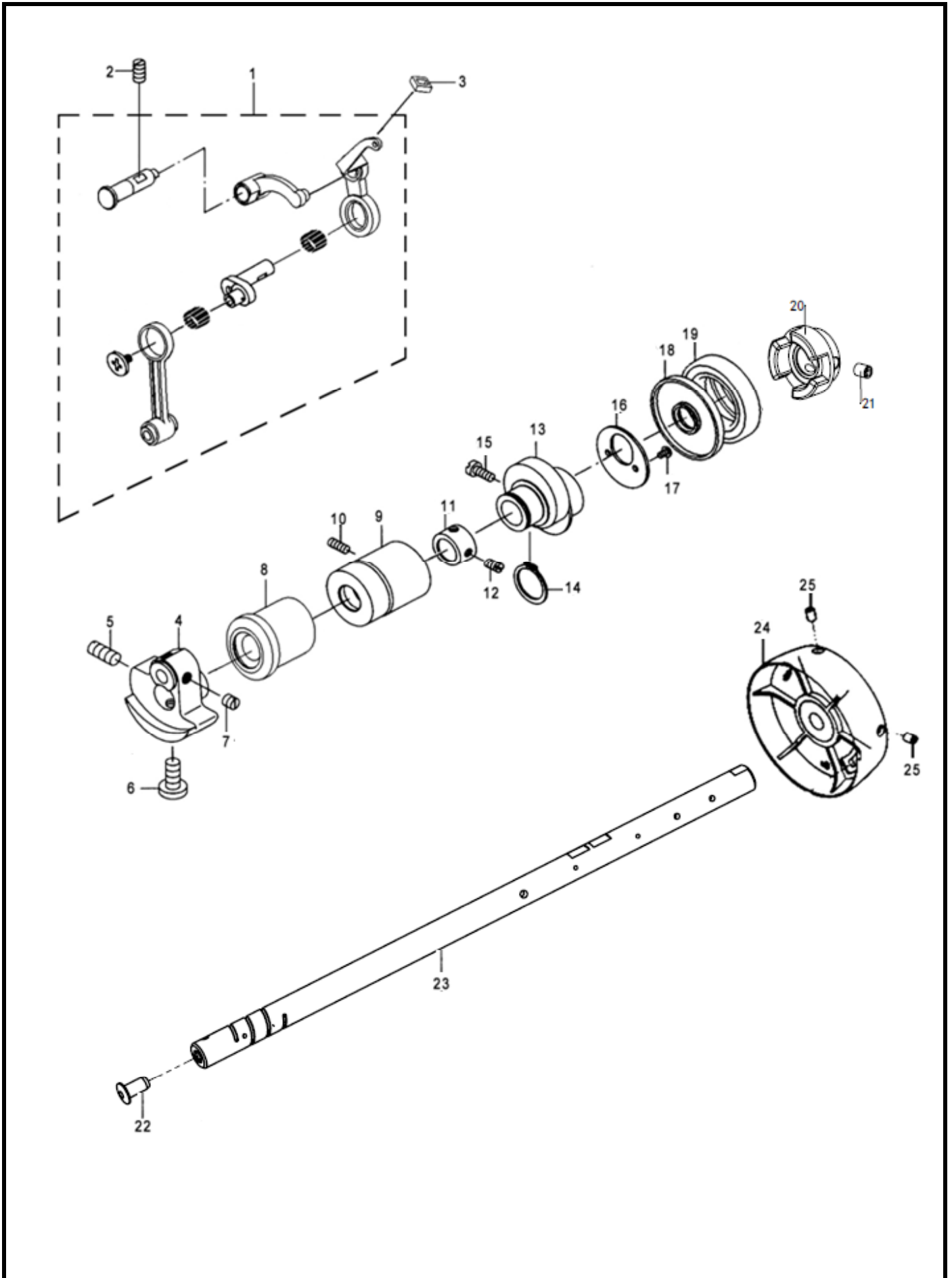
1.机壳部件/Machine frame&miscellaneous cover components



1.机壳部件/Machine frame&miscellaneous cover components

序号 Ref.No	图号 Part. No	零件名称	Name of parts	数量Qty	
				H8900	H8900H
41	110.01-23G	调线过线板	Thread tension guide	1	
42	110.01-21-01G	调线夹线螺钉	Thread tension post	1	
43	101.01-21-03	小夹线板	Thread tension disk	2	
44	101.01-21-04	小夹线簧	Thread tension spring	1	
45	101.01-21-05	小夹线螺母	Thread tension nut	1	
46	H0-004	综合型号牌	Model plate	1	
47	17-3200500-5	型号牌铆钉	Pole	2	
48	22-20611000	下轴盲孔塞 $\phi 20.6 \times 11$	Rubber plug	1	
49	102.01-18	倒送料扳手定位套	Reverse feed lever stopper	1	
50	02-512321821-1	螺钉 SM3/16x32x18	Screw	1	
51	22-20006000	密封塞	Rubber plug	1	
52	22-08506011	孔塞 $\phi 8.5 \times 6 \times \phi 10.5$	Rubber plug	4	
53	22-20809024	橡皮塞 $\phi 20.8 \times 9 \times \phi 23.5$	Rubber plug	1	
54	132.01-01	机壳组件	Machine cover	1	
55	132.01-05	后窗密封垫	Gasket	1	
56	132.01-04	后窗板	Side plate	1	
57	02-412280623-1	螺钉SM3/16"×28×6	Screw	1	
58	101.01-23G	挑线杆防护罩	Thread take-up lever cover	1	
59	22-12507017	孔塞 $\phi 12.5 \times 7 \times \phi 17$	Rubber plug	1	
60	22-08506511	孔塞 $\phi 8.5 \times 6.5 \times \phi 10.5$	Rubber plug	1	
61	421.12-29	缓线调节钩	Presser bar thread guide	1	
62	110.01-07	面线过线板	Spool pin	1	
63	01-405000823-1	螺钉M5×6	Screw	1	
64	01-805000814-1	螺钉M5x8	Screw	1	
65	128.02-05	油线支架组件	oil line support	1	
66	02-309401122-1	一字槽盘头螺钉	Screw	2	
67	SD-02A	松线电磁铁	Loose wire electromagnet	1	
68	22-25007030	橡胶塞	Rubber plug	1	
69	01-805000614-6	螺钉M5x6	Screw	1	
70	01-405001223-1	螺钉M5x12	Screw	12	
71	22-08506011	橡胶塞	Rubber plug	1	

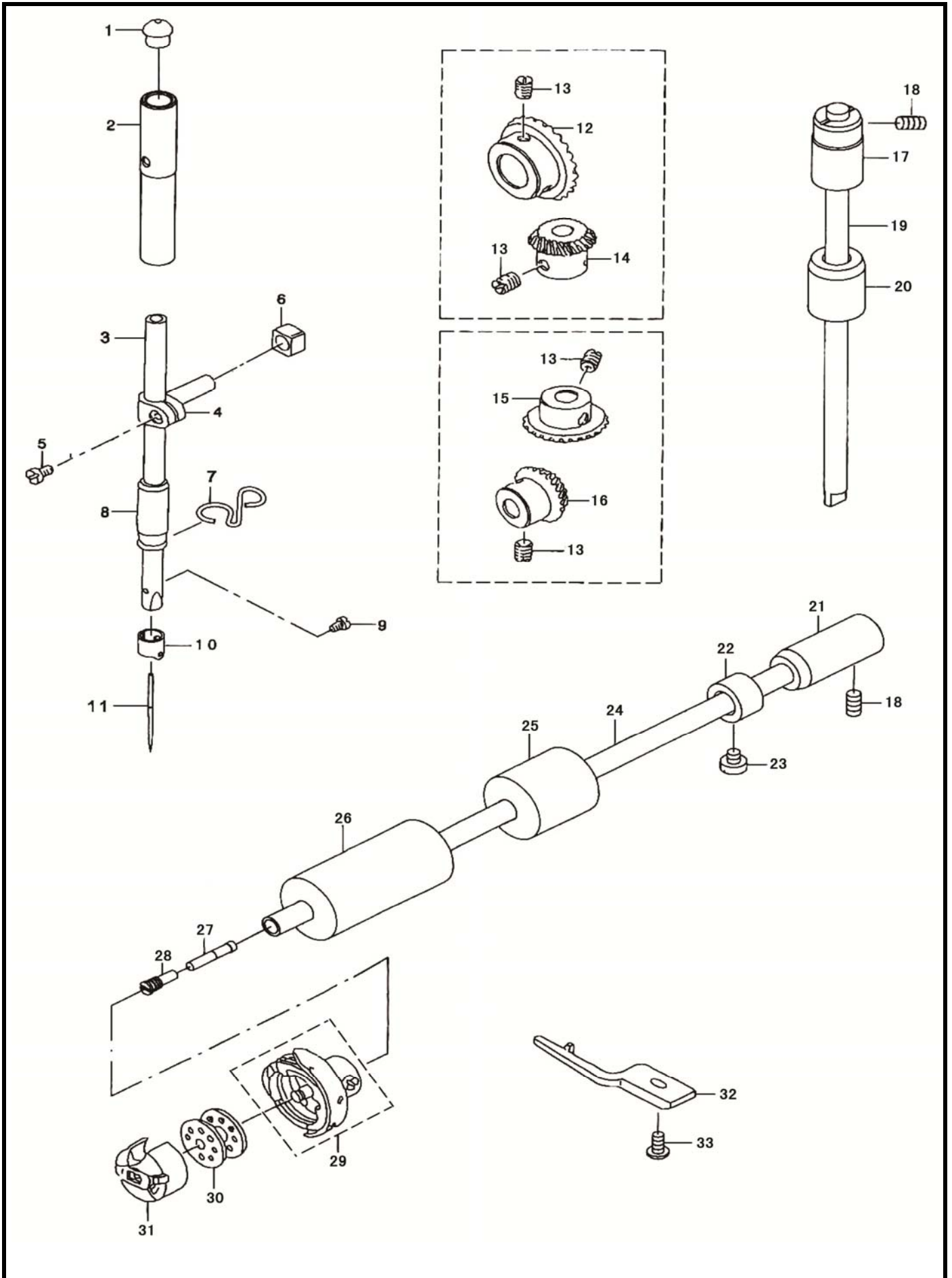
2. 上轴·挑线部件/Main shaft & Thread take-up lever components



2.上轴·挑线部件/Main shaft&Thread take-up lever components

序号 Ref.No	图号 Part. No	零件名称	Name of parts	数量Qty	
				H8900	H8900H
1	128.02-04	挑线杆大组件	Thread take-up lever big asm	1	
	128.02-14	挑线杆大组件	Thread take-up lever big asm		1
2	02-815281151-1	螺钉 SM15/64x28x11	Screw	1	
3	101.02-05	橡皮套	Rubber	1	
4	102.02-15A	针杆曲柄	Needle bar crank	1	
5	02-818281651-1	螺钉 SM9/32x28x16	Screw	1	
6	02-418281531-1	螺钉 SM9/32x28x15	Screw	1	
7	02-816400611-1	螺钉 SM1/4x40x6	Screw	2	
8	101.02-19	上轴前轴套	Main shaft front bushing	1	
9	102.02-27	上轴中轴套	Bushing,intermediate	1	
10	02-815280714-1	螺钉 SM15/64x28x7	Screw	1	
11	102.02-23	上轴挡圈	Collar	1	
12	02-816400811-1	螺钉 SM1/4x40x8	Screw	2	
13	101.02-12	送料偏心轮	Feed drive eccentric cam	1	
	116.02-12D	送料偏心轮	Feed drive eccentric cam		1
14	10-1851320-1	挡圈 φ18.5x1.3	Snap ring	1	
15	02-516401111-1	螺钉 SM1/4x40x11	Screw	2	
16	101.02-32	送料偏心轴盖板	Thrust collar	1	
17	02-209400821-1	螺钉 SM9/64x40x8	Screw	2	
18	13-14550550	骨架油封 φ14.5x5xφ55	Oil seal	1	
19	102.02-44-00	连轴器(1)组件配轴承	Bearing	1	
20	124.02-48	电机连轴器	Linker(1)	1	
21	01-806750814-1	螺钉 M6x0.75x8	Screw	6	
22	22-07014012	橡胶塞	Rubber plug	1	
23	102.02-38G	上轴	Main shaft	1	
24	128.02-11	手轮组件	Hand wheel	1	
25	02-815281014-1	螺钉 SM15/64x28x10	Screw	2	

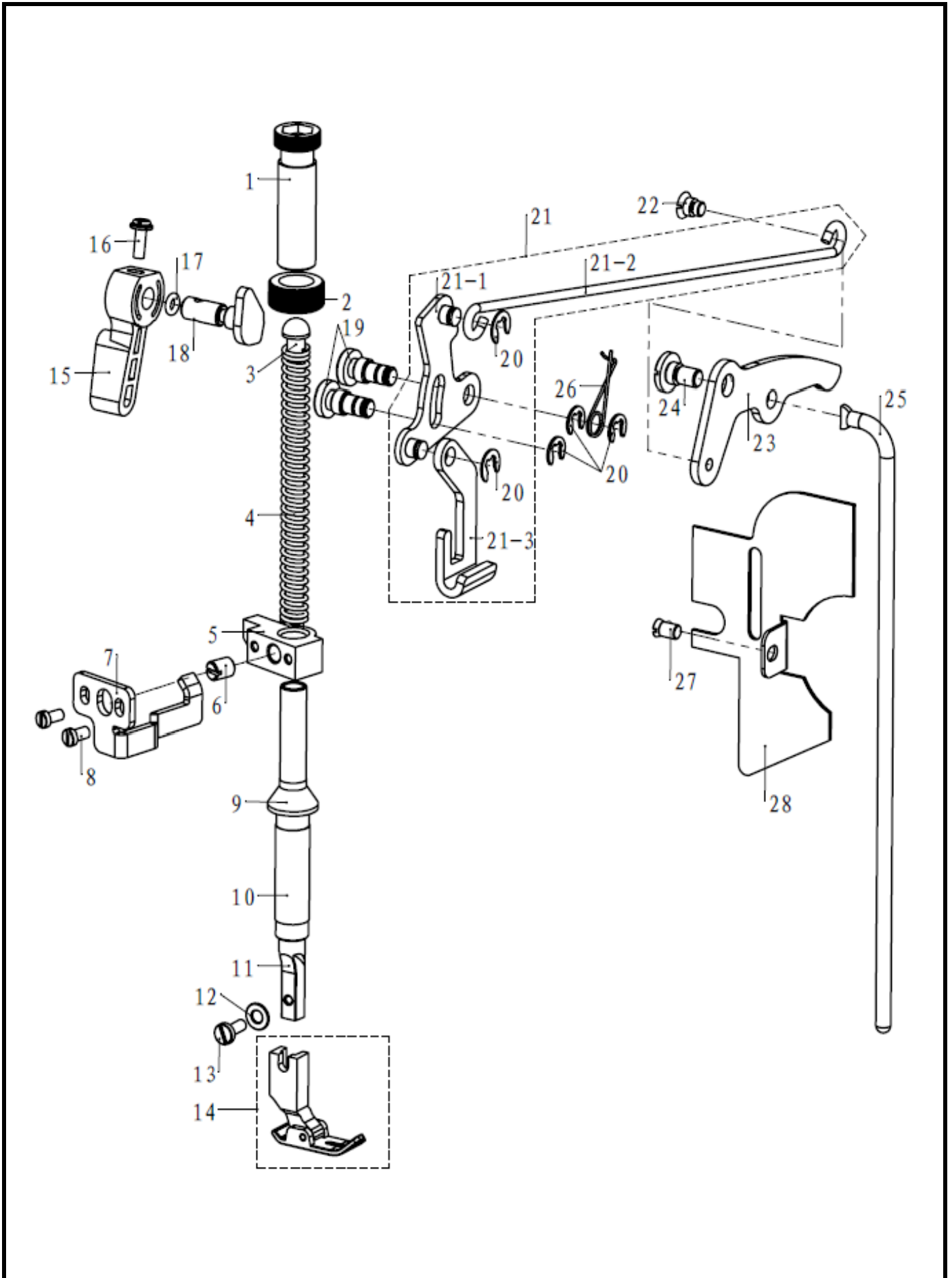
3. 针杆·竖轴·下轴部件/Needle bar, upright shaft & hook driving shaft components



3.针杆·竖轴·下轴部件/Needle bar,upright shaft&hook driving shaft components

序号 Ref.No	图号 Part. No	零件名称	Name of parts	数量Qty	
				H8900	H8900H
1	22-08506511	橡胶塞 φ8.5x6.5xφ10.5	Cap	1	
2	101.03-02	针杆上套	Needle bar bushing (upper)	1	
3	101.03-03	针杆	Needle bar	1	
	101.13-10	针杆	Needle bar		1
4	102.03-04A	针杆连接柱	Needle rod holder	1	
5	02-509400621-1	螺钉 SM9/64x40x6	Screw	1	
6	102.03-06A	针杆连接柱滑块	Slide block	1	
7	101.13-08	针杆线钩	Needle bar thread guide	1	
8	121.03-08	针杆下套	Needle bar bushing (lower)	1	
	101.13-09	针杆下套	Needle bar bushing (lower)		1
9	02-508440521-1	螺钉 SM1/8x44x5	Screw	1	
10	101.03-10	针杆线钩	Needle bar thread guide	1	
11	101.03-11	机针	Needle	1	
	101.12-11-24	机针	Needle		1
12	101.03-12	上轴伞齿轮	Conical gear	1	
13	02-816400711-1	螺钉 SM1/4x40x7	Screw	8	
14	101.03-14	竖轴上伞齿轮	Conical gear	1	
15	101.03-16	竖轴下伞齿轮	Gear	1	
16	101.03-18	下轴伞齿轮	Conical gear	1	
17	101.03-21	竖轴上轴套	Upright shaft bushing (upper)	1	
18	02-815280814-1	螺钉 SM15/64x28x8	Screw	2	
19	101.03-20	竖轴	Upright shaft	1	
20	101.03-23	竖轴下轴套	Upright shaft bushing (lower)	1	
21	101.03-24	下轴后轴套	Bushing rear	1	
22	101.03-26	下轴挡圈	Thrust collar	1	
23	02-811400414-1	螺钉 SM11/64"×40×4	Screw	2	
24	102.03-31	下轴	Lower shaft	1	
25	122.03-46	下轴中轴套	Bushing (intermediate)	1	
26	124.03-01	下轴前轴套	Lower shaft bushing	1	
27	101.03-35A	下轴限油芯	Oil wick	1	
28	102.03-40	下轴限油螺钉	Oil seal screw	1	
29	101.03-36-09	旋梭	Hook	1	
	101.03-36-08	旋梭	Hook		1
30	101.03-37-02	梭心	Bobbin	1	
31	122.03-37-02	梭壳	Bobbin case	1	
32	108.07-14	旋梭定位钩	Bobbin case holder	1	
	104.07-14	旋梭定位钩	Bobbin case holder		1
33	02-511401221-1	螺钉 SM11/64x40x12	Screw	1	

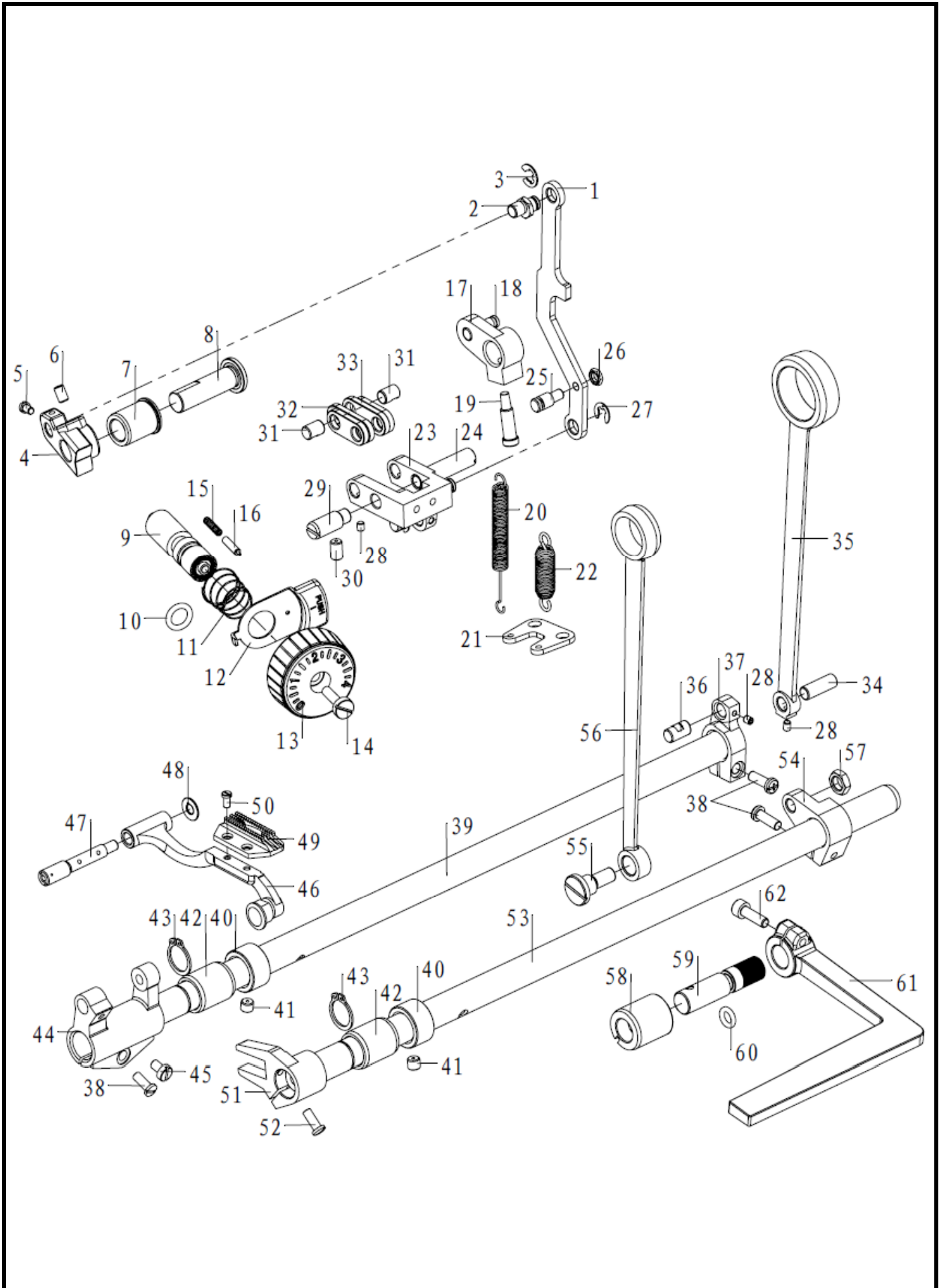
4.压杆部件/Hand lifter components



4.压杆部件/Hand lifter components

序号 Ref.No	图号 Part. No	零件名称	Name of parts	数量Qty	
				H8900	H8900H
1	101.04-32	调压螺钉	Presser spring regulator	1	
2	101.04-31	调压螺母	Presser adjusting screw nut	1	
3	101.04-40	调压导杆	Presser guide bar	1	
4	101.04-33	调压簧	Presser adjusting spring	1	
	101.13-12	调压簧	Presser adjusting spring		1
5	101.04-34	压杆导架	Presser bar guide bracket	1	
6	02-816400811-1	螺钉 SM1/4x40x8	Screw	1	
7	130.04-31	松线板	Loose plate	1	
8	02-509400721-1	螺钉SM9/64"×40×7	Screw	2	
9	101.04-41	防油伞	Rubber	1	
10	101.04-05	压杆轴套	Presser bar bushing	1	
11	101.04-35	压杆	Presser bar	1	
12	05-043080900-1	平垫片φ4.3x0.8xφ9	Washer	1	
13	02-509401021-1	螺钉 SM9/64x40x11	Screw	1	
14	101.04-09A	活压脚组件	Presser foot asm.	1	
	116.04-10	活压脚组件	Presser foot asm.		1
15	101.04-01	压脚扳手	Hand lifter	1	
16	19-409401023-1	螺钉 SM9/64x40x10	Screw	1	
17	12-038180	O型圈 φ3.8xφ1.8	Rubber ring	1	
18	88-PZ1-4	压脚扳手凸轮组件	Hand lifter cam asm.	1	
19	102.04-07	前杠杆螺纹销	Link shaft	2	
20	06-0500611-1	开口挡圈 φ5xφ11x0.6	E-ring	5	
21	101.04-39	前杠杆组件	Knee lifting cross rod asm.	1	
21-1	101.04-39-01	抬压脚前杠杆小组件	Hand lifter link asm.	1	
21-2	101.04-39-05	抬压脚拉杆	Knee lifting cross rod	1	
21-3	101.04-39-03	压脚升降板	Lifting lever	1	
22	101.04-11	活压脚压杆螺钉	Hinge screw	1	
23	132.03-02	抬压脚后杠杆	Lifting lever link	1	
24	101.04-12	后杠杆轴位螺钉	Hinge screw	1	
25	126.04-01	抬压脚顶杆	Knee lifter connecting rod	1	
26	130.04-34	前杠杆复位簧	Front lever reset spring	1	
27	02-412280623-1	螺钉 SM3/16x28x6	Screw	1	
28	132.03-01	挡油板	Break oil	1	

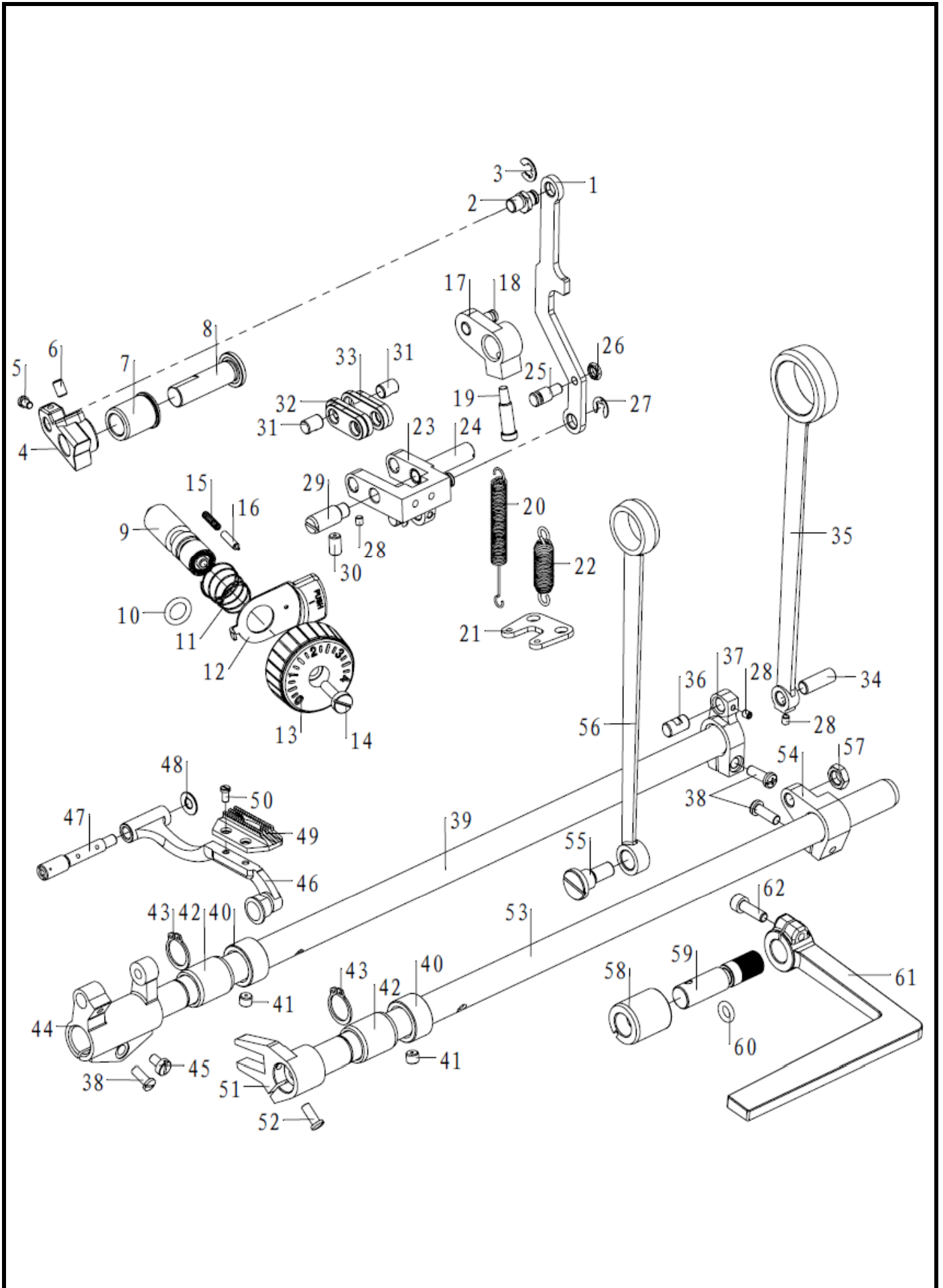
5.送料部件/Feed mechanism components



5.送料部件/Feed mechanism components

序号 Ref.No	图号 Part. No	零件名称	Name of parts	数量Qty	
				H8900	H8900H
1	126.05-21	倒送料连杆	Feed adjust rod	1	
2	102.05-02	倒送料连杆销	Feed regulator pin	1	
3	06-0601012-1	开口挡圈 $\phi 6 \times 1 \times \phi 12$	E-ring	1	
4	132.05-01	送料调节器	Feed regulator	1	
5	02-509400621-1	螺钉 SM9/64x40x6	Screw	2	
6	01-805000814-1	螺钉 M5x8	Screw	2	
7	101.05-05	送料调节器轴套	Feed regulator bushing	1	
8	132.05-02	调节器轴	Regulator shaft	1	
9	102.05-07	送料距调节螺栓	Feed regulator screw	1	
10	12-095265	O型圈 $\phi 9.5 \times \phi 2.65$	Rubber ring	1	
11	124.05-07	送料距锁合销压板簧	Spring	1	
12	124.05-08	送料距锁合销压板	Feed plate	1	
13	126.05-10	送料距旋钮	Feed dial	1	
14	02-512281821-1	螺钉 SM3/16x28x18	Screw	1	
15	124.05-06	送料距锁合簧	Spring	1	
16	124.05-09A	送料距锁合销	Feed adjust pin	1	
17	126.05-19-01	倒送料曲柄	Feed reverse arm	1	
18	126.05-03-01	倒送料曲柄销	Pin	1	
19	02-816401634-1	螺钉 SM1/4x40x20	Screw	1	
20	126.05-17	倒送料拉簧	Feed reverse spring	1	
21	101.05-38	拉簧固定板	Feed spring hood	1	
22	131.05-04	倒缝复位簧	Spring	1	
23	101.05-27A	摆动板座组件	Feed adjust link asm.	1	
24	102.05-28-01	摆动板座销钉(长)	Adjusting link fulcrum shaft	1	
25	102.05-02	倒送料连杆销	connecting rod pin	1	
26	03-605000370-6	六角螺母 M5x3.7	Nut	1	
27	06-0500611-1	开口挡圈 $\phi 5 \times 0.6 \times \phi 11$	E-ring	1	
28	02-809400424-1	螺钉 SM9/64x40x4	Screw	4	
29	101.05-28	摆动板座销钉(短)	Adjusting link fulcrum shaft	1	
30	02-815281014-1	螺钉 SM15/64x28x11	Screw	2	
31	101.05-24	短摆动板连接销	Walking foot short pin	2	
32	101.05-25	送料长摆动板	Connecting link long pin	2	
33	101.05-26	送料短摆动板	Connecting link short pin	2	
34	101.05-13	送料连杆销	Walking foot long pin	1	
35	101.05-12	送料连杆	Rocker shaft connecting rod	1	
	116.05-12	送料连杆	Rocker shaft connecting rod		1
36	101.05-40	送料曲柄销	Walking foot middle pin	1	
37	101.05-43	送料曲柄	Feed rocker shaft crank	1	
	116.05-43	送料曲柄	Feed rocker shaft crank		1
38	02-412281423-1	螺钉 SM3/16x28x14	Screw	3	
39	101.05-39	送料轴	Feed rocker shaft	1	
40	101.02-17	上轴挡圈	Thrust collar	2	
41	02-816400514-1	螺钉 SM1/4x40x5	Screw	4	
42	101.05-51A	送料轴前轴套	Feed rocker shaft bushing	2	

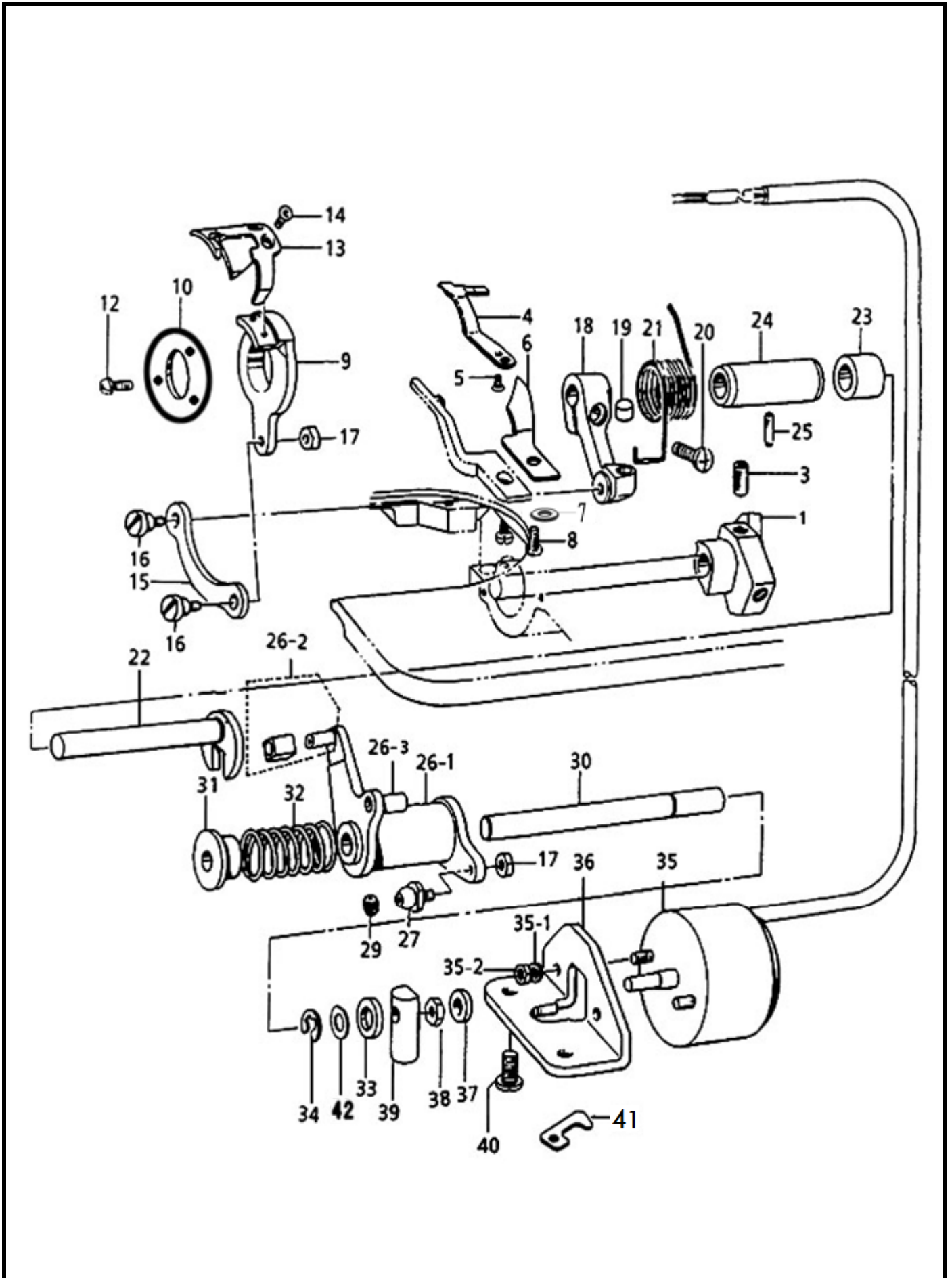
5.送料部件/Feed mechanism components



5.送料部件/Feed mechanism components

序号 Ref.No	图号 Part. No	零件名称	Name of parts	数量Qty	
				H8900	H8900H
43	10-1381017-1	轴用弹性挡圈 $\phi 13.8 \times 1$	Retaining ring	2	
44	101.05-55	牙架座	Feed bar crank	1	
45	02-511400721-1	螺钉 SM11/64x40x7	Screw	1	
46	101.05-35	牙架组件	Feed bar asm.	1	
47	101.05-31	牙架销	Feed bar shaft pin	1	
48	05-051081203-5	垫圈 $\phi 5.1 \times 0.8 \times \phi 12$	Washer	1	
49	110.05-33 (1.15)	送料牙	Feed dog	1	
	116.05-34	送料牙	Feed dog		1
50	02-608440621-1	螺钉 SM1/8x44x6	Screw	2	
51	101.05-57	抬牙叉曲柄	Driving shaft crank	1	
52	02-411401121-1	螺钉 SM11/64x40x11	Screw	1	
53	101.05-48	抬牙轴	Feed driving shaft	1	
54	101.05-45	抬牙后曲柄	Lifting crank (back)	1	
55	101.05-47	螺钉	Hinge screw	1	
56	101.05-15	抬牙连杆	Connecting rod	1	
57	04-618280400-1	螺母 SM9/32x28x4	Nut	1	
58	102.05-65	倒送料轴套	Feed lever bushing	1	
59	126.05-04	倒送料轴	Feed reverse shaft	1	
60	12-062240	O型圈 $\phi 6.2 \times \phi 2.4$	Rubber ring	1	
61	126.05-05	倒送料扳手	Reverse feed control lever	1	
62	01-505001624-1	螺钉 M5x16	Screw	1	

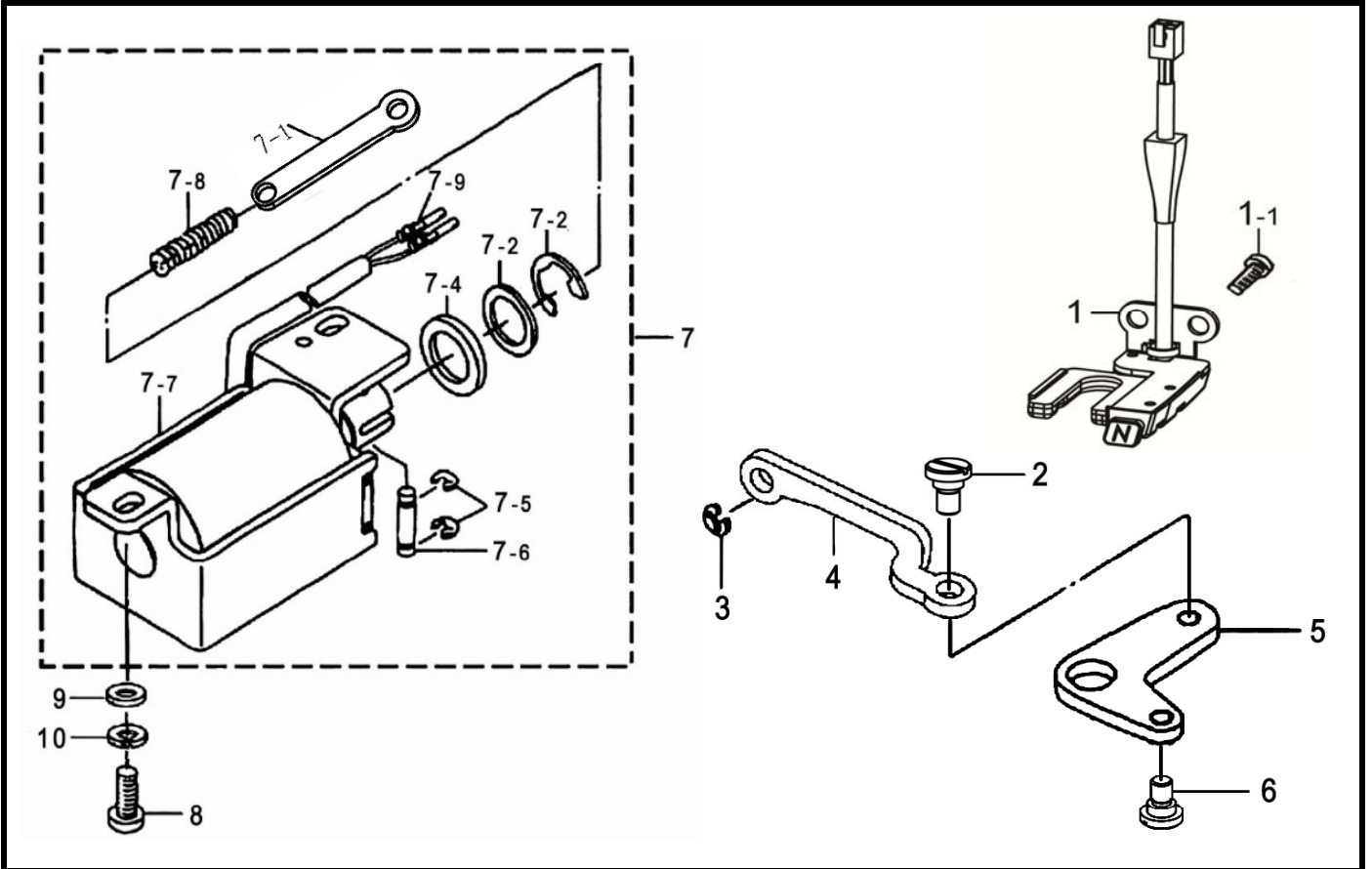
6.自动切线/Thread trimmer components



6.自动切线/Thread trimmer components

序号 Ref.No	图号 Part. No	零件名称	Name of parts	数量Qty	
				H8900	H8900H
1	103.11-01G	切线凸轮	Thread shear cam	1	
3	02-816401014-1	螺钉	Screw	2	
4	102.06-04	固定刀	Secant knife	1	
	116.06-03N	固定刀	Secant knife		1
5	02-109400621-1	螺钉	Screw	1	
6	102.06-06	分线器	Protect needle patch	1	
7	05-043080900-1	平垫片	Washer	1	
8	02-509400521-1	螺钉	Screw	1	
9	124.06-09	剪线刀架	Knife bracket	1	
10	103.11-13	切线架压板	Partiality shank	1	
12	01-103001021-1	螺钉	Screw	3	
13	102.06-13	活动刀	Motorial knife	1	
	116.06-02	活动刀	Motorial knife		1
14	02-111400524-1	螺钉	Screw	2	
15	102.06-15	刀轴连杆	Knife shaft connecting rod	1	
16	102.06-16	连杆螺钉	Screw	2	
17	04-611400300-1	螺母	Nut	2	
18	102.06-18G	切刀驱动曲柄	Thread shear rock crank	1	
19	103.11-09-06G	驱动曲柄止动块	Positioning block	1	
20	02-512321421-1	螺钉	Screw	1	
21	102.06-21	切线曲柄弹簧	Spring	1	
22	102.06-22	切刀驱动曲柄轴	Thread shear rock arm shaft	1	
23	102.06-23	驱动曲柄轴短套	Short bush	1	
24	102.06-24	切线轴套	Thread shear cam bushing	1	
25	02-811400614-1	螺钉	Screw	1	
26-1	102.06-26-1	切线凸轮曲柄	Thread shear rock arm shaft	1	
26-2	102.06-26-2	滑块轴组件	Slippery piece shaft asm.	1	
26-3	102.06-26-3	切线限位轴	Limit potential shaft	1	
27	102.06-27-0	滚柱轴组件C	Roll shaft asm.	1	
29	02-816400514-1	螺钉	Screw	1	
30	102.06-30	切刀驱动轴	Thread shear shaft	1	
31	102.06-31	扭簧端盖	Spring cover	1	
32	102.06-32	切线凸轮复位弹簧	Spring	1	
33	102.06-33	电磁铁缓冲垫	Magnetic plug cushion mat	1	
34	06-0601012-1	挡圈	E-ring	1	
35	QD-02	切线电磁铁	Thread trimmer solenoid	1	
35-1	102.06-35-1	切线电磁铁弹垫	Spring washer	2	
35-2	03-604000400-4	螺母	Nut	2	
36	102.06-36	切线电磁铁支架	Thread trimmer solenoid bas	1	
37	102.06-37	橡胶垫	Rubber ring	1	
38	04-606400400-1	螺母	Nut	1	
39	102.06-39	切线电磁铁顶销	Thread trimmer solenoid pin	1	
40	02-315280921-1	螺钉	Screw	2	
41	101.06-20	电磁铁导线压板	Solenoid press plate	1	
42	05-081101550-1	垫片 $\phi 8.1 \times 1 \times \phi 15.5$	Washer	1	

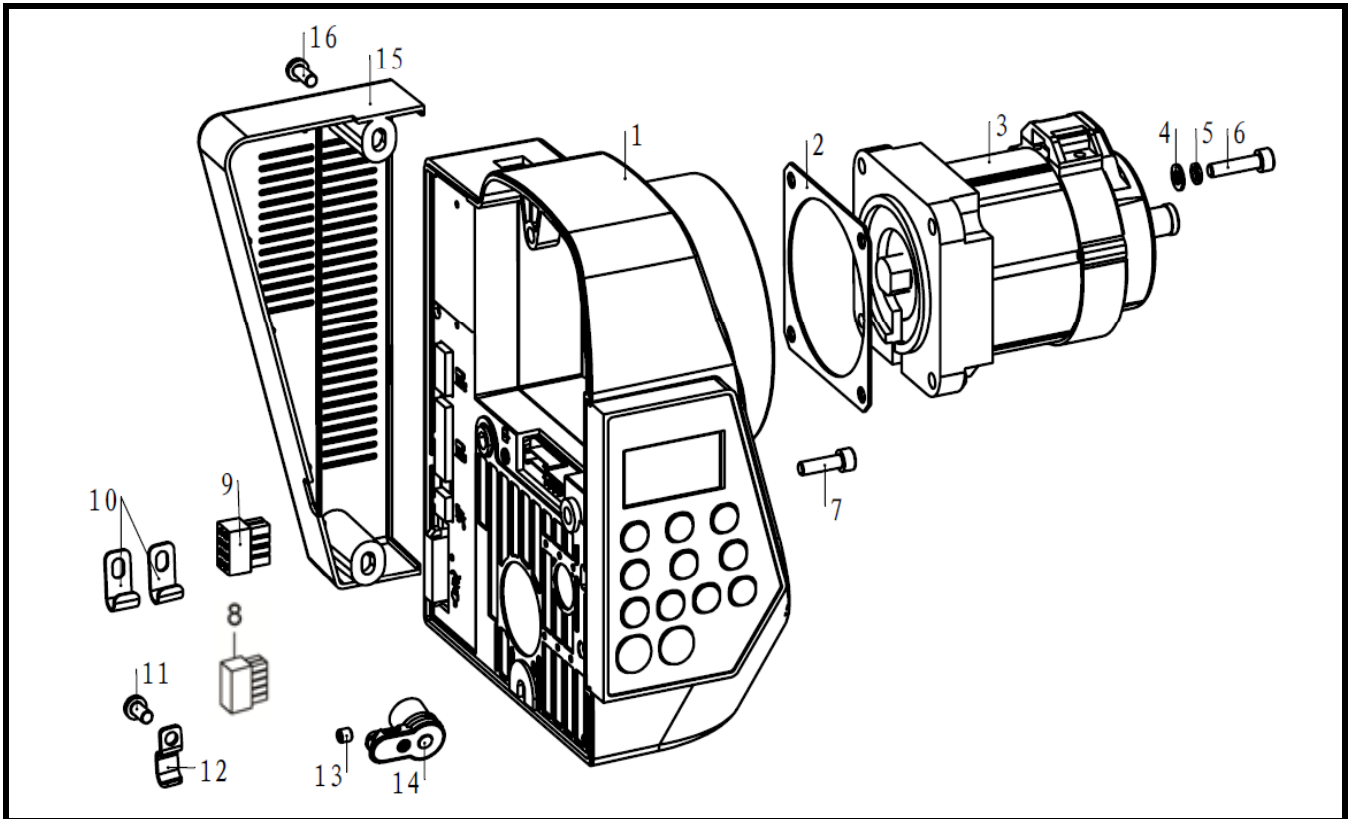
7.自动倒缝部件/Automatic reverse feed components



7.自动倒缝部件/Automatic reverse feed components

序号 Ref.No	图号 Part. No	零件名称	Name of parts	数量Qty	
				H8900	H8900H
1	DL09-00/01	倒缝灯组件	Reverse switch asm.	1	
1-1	01-405000823-1	螺钉M5×8	Screw	2	
2	101.07-06-04	轴位螺钉	Shaft screw	2	
3	06-0500611-1	挡圈 φ5x0.6xφ11	E-ring 5	1	
4	101.07-04G	自动倒送料拉杆	Reverse feed connecting sha	1	
5	128.07-06-01	倒缝曲柄	Connecting arm asm	1	
6	128.07-06-02	轴位螺钉	Shaft screw	1	
7	DD-02-G	倒缝电磁铁组件	Reverse feed asm	1	
7-1	101.07-08-01	倒缝铁芯连杆	Reverse feed connecting link	1	
7-2	101.07-08-02	倒缝铁芯挡圈E12	E-ring 12	1	
7-3	101.07-08-03	垫片	Washer 16X24X2.6	1	
7-4	101.07-08-04	橡胶垫片	Rubber Plunger	1	
7-5	101.07-08-05	连接销卡簧	E-ring	2	
7-6	101.07-08-06	倒缝铁芯连接销	Plunger arm Pin	1	
7-7		倒缝电磁铁	Reverse feed magnet asm.	1	
7-8	101.07-08-08	连杆定位簧	Plunger spring	1	
7-9	101.07-08-09	导线插针	pin contact	2	
8	02-715281521-1	螺钉M5×12	Screw	2	
9	05-064161200-1	平垫 φ6.4x1.6xφ12	Washer	2	
10	07-0631616-1	弹垫 φ6.3x1.6x1.6	Spring washer	2	

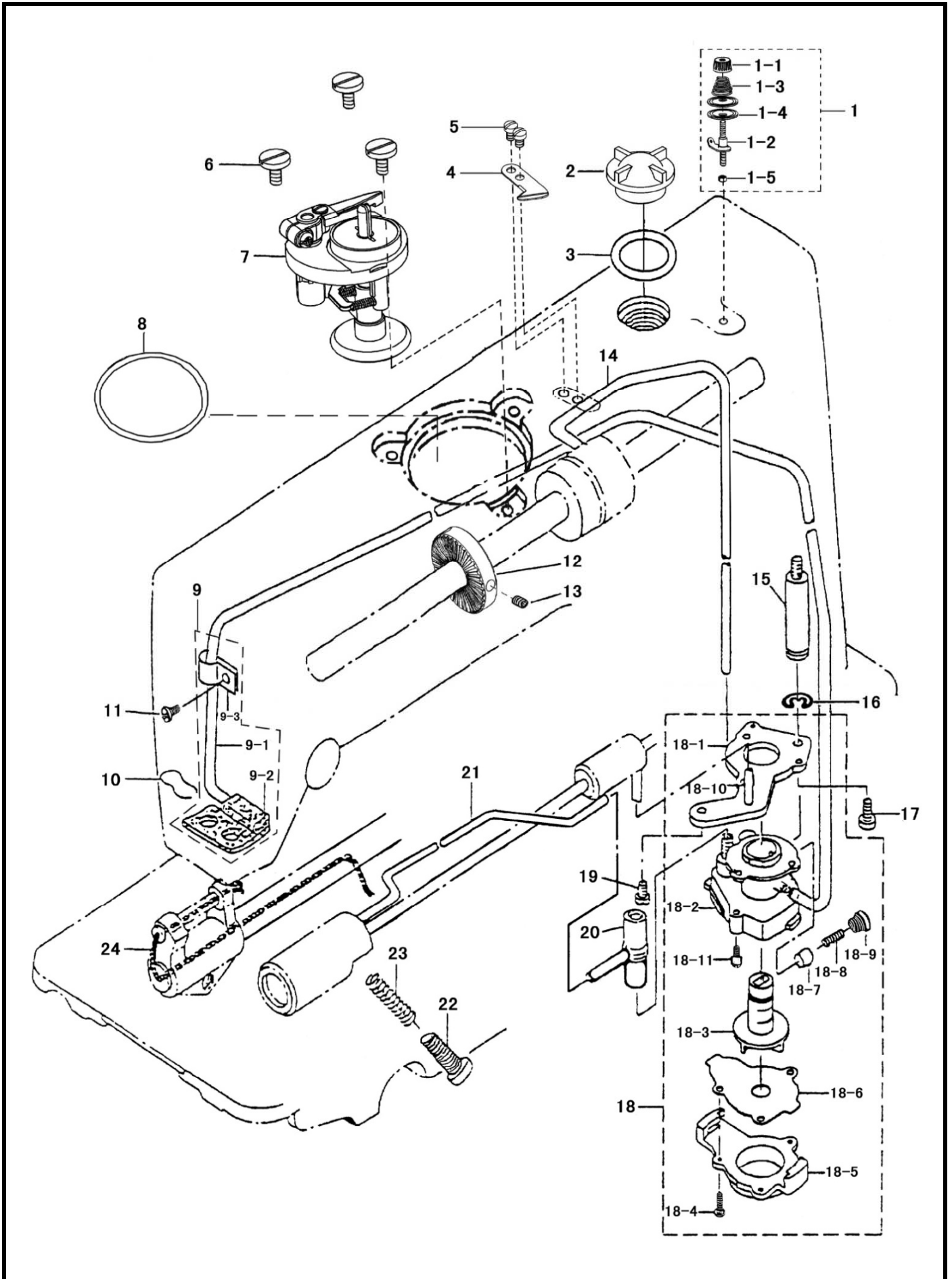
8.驱动部件/Driver components



8.驱动部件/Driver components

序号 Ref.No	图号 Part. No	零件名称	Name of parts	数量Qty	
				H8900	H8900H
1	CB-02D	电控组件	Control asm.	1	
2	126.08-05	电机密封垫	Washer	1	
3	MO-02G-550	电机组件	Motor asm.	1	
4	05-053101000-1	平垫片	Washer	4	
5	07-0521313-1	弹簧垫圈	Spring washer	4	
6	01-505002224-1	螺钉	Screw	4	
7	01-505001824-1	螺钉	Screw	4	
8	HX42000-14R	14孔插头	Plug	1	
9	HX42000-8R	8孔插头	Plug	1	
10	126.01-06	线夹	Clamp	2	
11	01-405000823-1	螺钉M5x8	Screw	1	
12	103.18-04	线夹	Clamp	1	
13	01-805000514-1	螺钉M5x5	Connector	1	
14	JD-02G	起针夹线器	Thread tension solenoid asr	1	
15	132.08-01	电线罩	Wire hood	1	
16	01-405001223-1	螺钉M5x12	three piece combined screw	2	

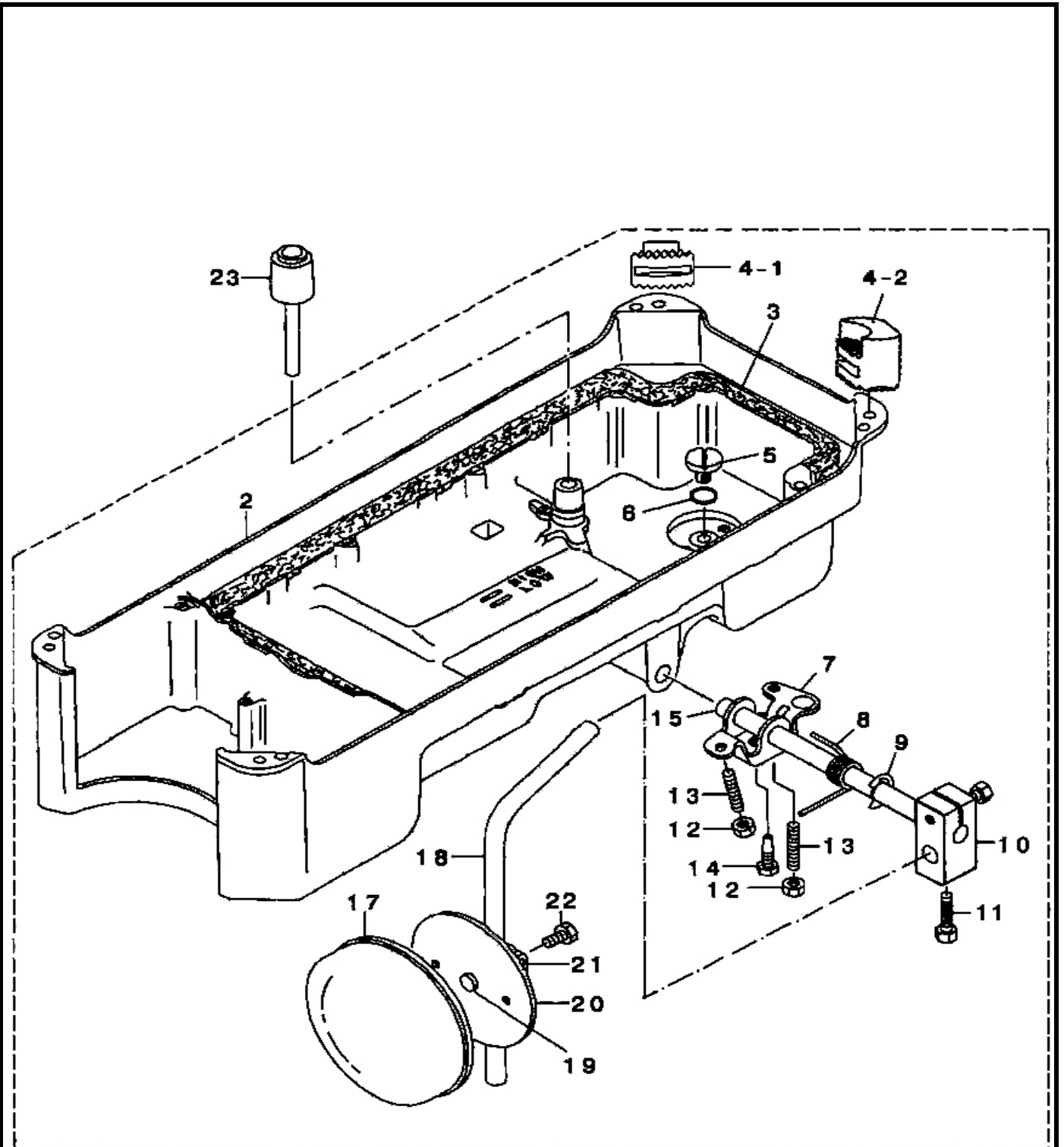
9. 润滑·绕线部件/Oil lubrication components&bobbin components



9.润滑·绕线部件/Oil lubrication components&bobbins components

序号 Ref.No	图号 Part. No	零件名称	Name of parts	数量Qty	
				H8900	H8900H
1	102.09-36	夹线器组件	Thread tension asm.	1	
1-1	102.09-36-01	夹线螺母	Nut	1	
1-2	102.09-36-02	夹线螺钉	Screw	1	
1-3	102.09-36-03	夹线簧	Spring	1	
1-4	102.09-36-04	夹线板	Thread tension disk	2	
1-5	04-611400300-1	螺母 SM11/64x40x3	Thread tension guide	1	
2	101.09-01	油窗	Oil sight window	1	
3	12-190265	油窗O型圈	Rubber ring	1	
4	102.09-34	切刀	Knife	1	
5	02-509400421-1	螺钉 SM9/64x40x4	Screw	2	
6	02-312320722-3	螺钉 SM3/16x32x7	Screw	3	
7	102.09-32A	绕线器组件	Bobbins winder unit	1	
8	102.09-42	绕线轮垫圈	Washer	1	
9	126.09-02	回油管组件	Oil return tube asm.	1	
9-1	101.09-06-01	回油管	Oil return tube	1	
9-2	101.09-06-02	回油管毡	Return to asphalt felt	1	
9-3	101.09-06-03	回油管夹	Holder	1	
10	126.09-04	油毡夹	Oil felt presser	1	
11	02-412320821-1	螺钉 SM3/16x32x8	Screw	1	
12	102.09-37	绕线驱动轮	Bobbins winder driving wheel	1	
13	01-806000614-1	螺钉M6×6	Screw	2	
14	130.09-34	上轴供油管	Main shaft oil tube	1	
15	101.09-13A	油泵连接螺柱	Oil pump support,large	1	
16	06-0901018-1	卡簧 φ9x1xφ18	E-ring	1	
17	02-711401221-1	螺钉 SM11/64x40x10	Screw	1	
18	101.09-11	油泵组件	Lubricating oil pump asm.	1	
18-1	101.09-11-01	油泵安装板	Oil pump installing base	1	
18-2	101.09-11-02	油泵体	Oil pump	1	
18-3	101.09-11-03	油泵叶轮	Oil pump impeller	1	
18-4	101.09-11-04	油泵盖螺钉	Screw	3	
18-5	101.09-11-05	油泵盖	Lubricating oil pump cover	1	
18-6	101.09-11-06	油泵叶轮托板	Oil pump impeller cover	1	
18-7	101.09-11-07	回油柱塞	Plunger	1	
18-8	101.09-11-08	柱塞簧	Plunger spring	1	
18-9	101.09-11-09	柱塞螺钉	Plunger screw	1	
18-10	101.09-11-10	下轴供油管	Hook driving shaft oil tube	1	
18-11	101.09-11-11	螺钉	Screw	3	
19	02-715281521-1	螺钉 SM15/64x28x13	Screw	1	
20	101.09-16	供油管接头	Rubber joint	1	
21	102.09-11	旋梭供油管	Oil tube	1	
22	102.09-09A	旋梭油量调节螺钉	Oil adjusting screw	1	
23	102.09-10A	旋梭油量调节簧	Spring	1	
24	101.09-07	送料轴油线	Oil wick	1	

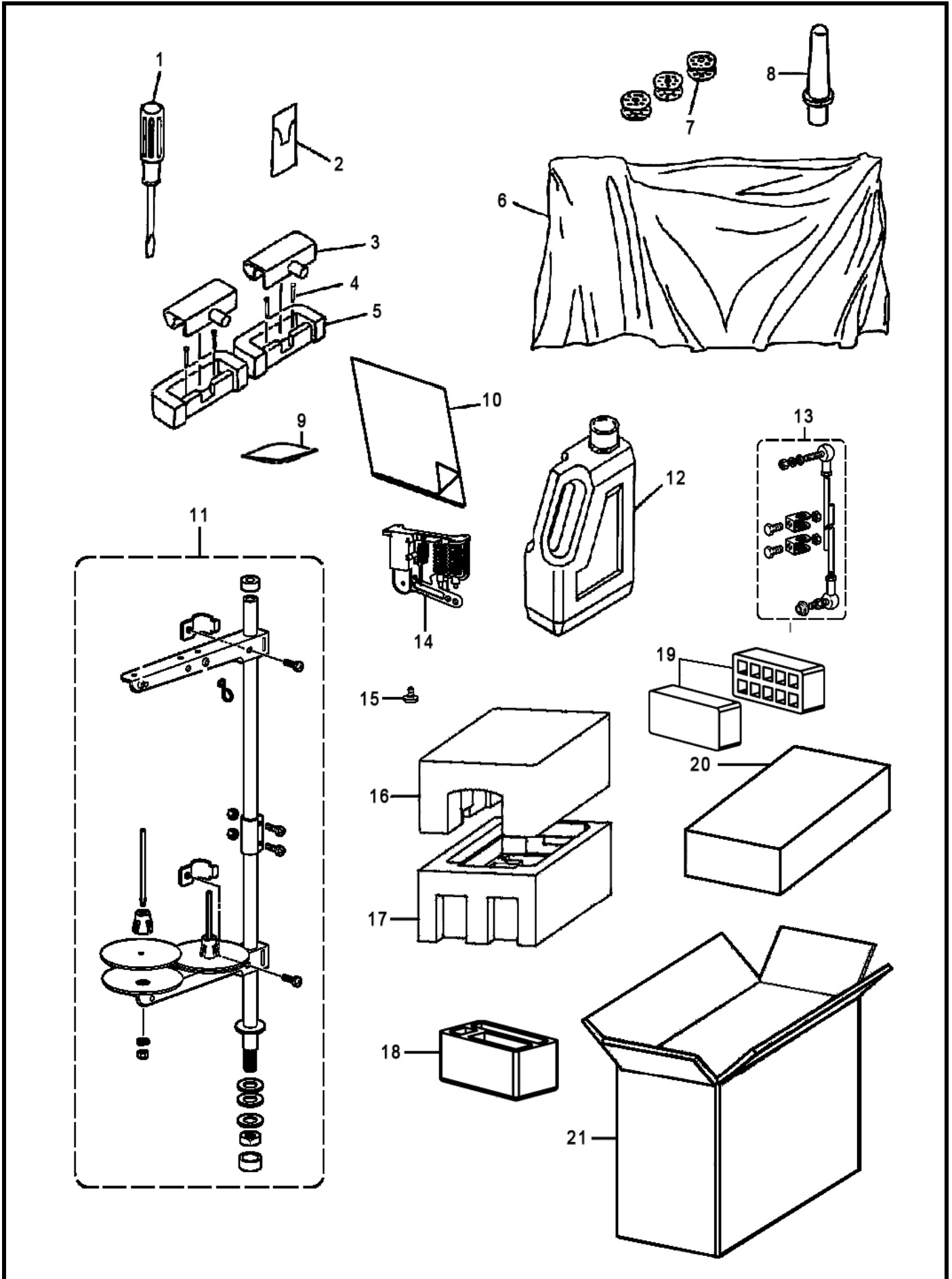
10.油盘部件/Oil reservoir components



10.油盘部件/Oil reservoir components

序号 Ref.No	图号 Part. No	零件名称	Name of parts	数量Qty	
				H8900	H8900H
2	101.10-01	油盘	Oil reservoir	1	
3	101.10-02	油盘垫组件	Oil reservoir gasket	1	
4-1	101.14-13	防震垫小	Quakeproof mat,small	2	
4-2	101.14-12	防震垫大	Quakeproof mat,larger	2	
5	02-620240721-1	螺钉	Screw	1	
6	12-062240	排油孔螺钉O型圈	Rubber ring	1	
7	101.10-05-01	抬压脚双向曲柄	Knee lifting rotating arm	1	
8	101.10-05-02	双向曲柄扭簧	Spring	1	
9	06-1001020-1	抬压脚轴开口挡圈	E-ring	1	
10	101.10-05-04G	抬压脚操纵杆节头	Vertical shaft fitting arm	1	
11	01-708001425-4	操纵杆节头螺钉	Screw	2	
12	03-606000350-4	双向曲柄限位调节螺母	Nut	2	
13	01-806003021-4	双向曲柄限位调节螺钉	Screw	2	
14	01-706001735-4	双向曲柄螺钉	Screw	1	
15	101.10-05-09	抬压脚轴	Knee press cross shaft	1	
17	101.10-06-01	操纵板软垫	Knee pan plate cover	1	
18	101.10-06-02	操纵杆	Knee pan upright shaft	1	
19	101.10-06-03	操纵杆垫	Knee pan plate rubber	1	
20	101.10-06-04	操纵板	Knee pan plate	1	
21	101.10-06-05	操纵杆节头	Knee pan plate support	1	
22	01-706001025-4	节头螺钉	Screw	1	
23	103.20-20	抬压脚顶杆	Knee lifter push pin	1	

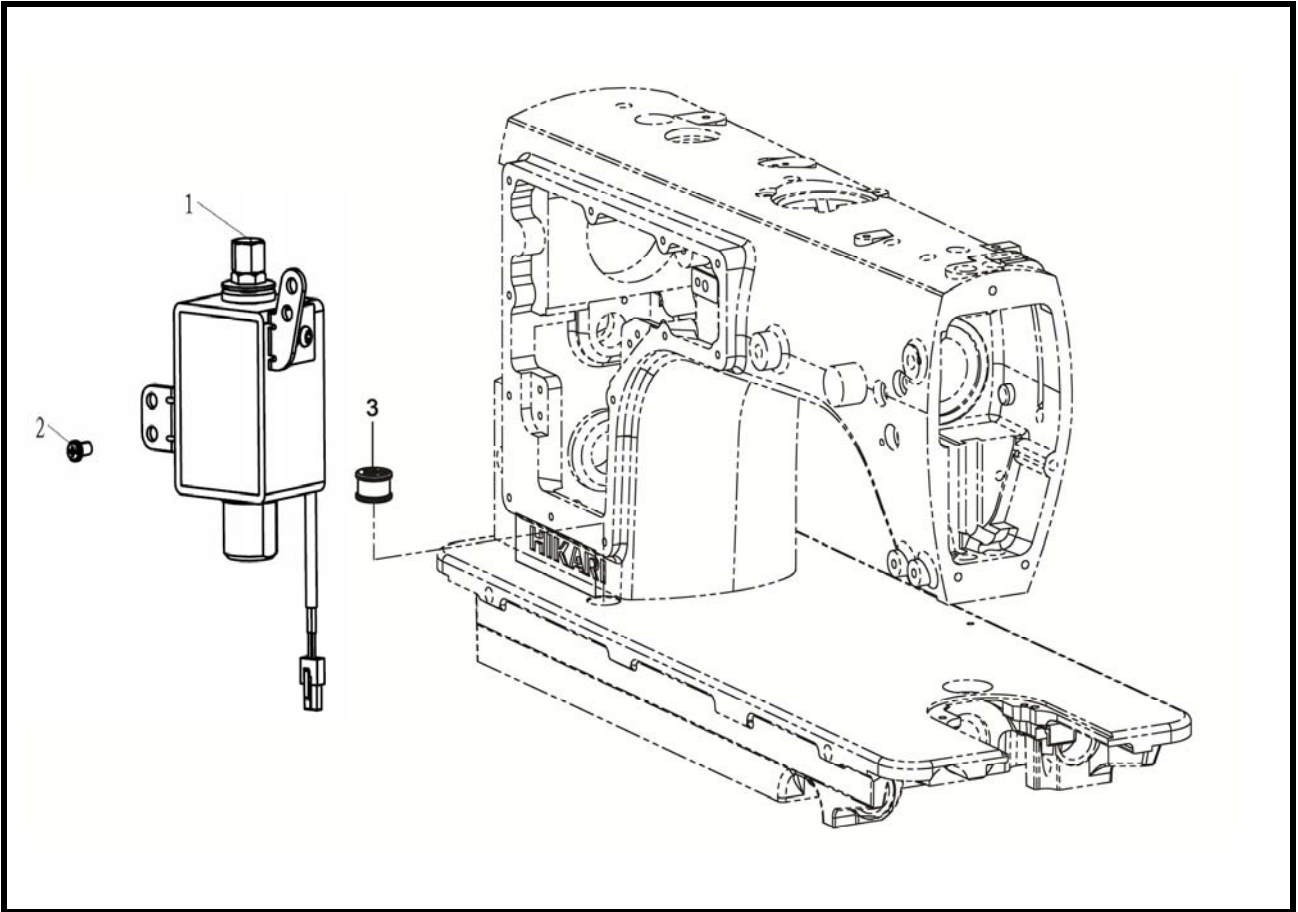
11.附件/Accessories



11.附件/Accessories

序号 Ref.No	图号 Part. No	零件名称	Name of parts	数量Qty	
				H8900	H8900H
1	113.16-19	两用螺丝刀	Screw driver	1	
2	101.03-11	机针	Needle	5	
	101.12-11-24	机针	Needle		5
3	101.14-01	机头连接钩	Machine hinge plate asm.	2	
4	101.14-02	机头连接钩座钉	Nail	4	
5	101.14-03	机头连接钩座	Machine hinge plate	2	
6	101.14-08	机头罩	Macgube head cover	1	
7	101.03-37-02	梭心	Bobbins	3	
8	101.14-09	机头支柱	Macgube rest cover	1	
9	101.12-20	空气干燥剂	Air drier	1	
10	126.10-05	产品说明书及零件手册	Instruction manual&parts bo	1	
11	101.12-01	过线架组件	Thread stand asm.	1	
12	101.14-10	油箱	Oil reservoir asm.	1	
13	M-02D-010	活球连杆组件	Live festival ball link asm.	1	
14	KS-02G	控速器组件	Treadle asm.	1	
15	21-3501932-4	十字半圆头木螺钉	Screw	4	
16	132.10-01-01	上泡沫	Foam mat (top)	1	
17	132.10-01-02	下泡沫	Foam mat (bottom)	1	
18	128.11-01-03	中泡沫	Foam mat (middle)	1	
19	126.10-04	附件箱泡沫垫	Foam mat	1	
20	126.10-03	内箱	Inside box	1	
21	132.10-02	外箱	Outside box	1	

12.电磁抬压脚装置(选购件)/ Presser foot lifting set mechanism(Option parts)



12.电磁抬压脚装置(选购件)/ Presser foot lifting set mechanism(Option parts)

序号 Ref.No	图号 Part No	零件名称	Name of parts	数量Qty	
				H8900	H8900H
1	TD-02B	抬压脚电磁铁组件	Presser foot lifting asm.	1	
2	01-405001223-1	螺钉	Screw	4	
3	126.01-07	导线过线套	Rubber plug	1	